

Drill Collars



Non-Magnetic Slick Drill Collar



Non-Magnetic Spiral Drill Collar

Non-Magnetic Drill Collars

When drilling in areas closer to the earth's magnetic poles, it is essential to use a non-magnetic drill collar. Drilling Tools International's non-mag drill collars offer strength and hardness while neutralizing magnetic interference. Compatible with standard drill string tools and stabilizers, these non-mag drill collars are manufactured to API Spec 7-1. Inventory includes:

- Slick
- Flex
- Spiral
- Pony

Drilling Tools treats its non-mag material ID with a shot peening operation to compress the inside diameter which prevents stress corrosion while drilling in H₂S environments.

- Resistant to stress corrosion in sour gas environments
- Compatible with standard drill string tools and stabilizers
- Spiraling available on request

Mechanical Properties

Room Temperature. ASTM A 370

Drill Collar OD Range (in)	Min. Yield Strength		Min. Tensile Strength		Min. Elongation %	Impact Test CHARPY V. notch	
	MPa	PSI	MPa	PSI		J (min.)	ft-lbs (min.)
2 3/4" through 3 7/8"	827	120 000	896	130 000	16	81	60
4" through 6 7/8"	758	110 000	827	120 000	18		
7" through 11"	689	100 000	758	110 000	20		

Specification

Common Connections	OD (in)	ID (in)	Approximate Weight (lbs)
2 7/8 Reg	3 1/2 to 3 7/8"	1 1/4 to 1 3/4"	760-1114
3 1/2 Reg	4 1/8 to 4 1/2"	1 1/4 to 2 1/4"	989-1490
3 1/2 IF NC38	4 3/4 to 5 1/2"	1 3/4 to 2 13/16"	1350-2250
4 FH NC40	5 to 6"	1 3/4 to 2 13/16"	1552-2726
4 1/2 FH	5 1/2 to 6 1/2"	2 to 3"	1759-3166
4 1/2 XH NC 46	5 3/4 to 6 3/4"	2 1/4 to 3"	1992-3352
4 1/2 IF NC 50	6 1/4 to 7 1/2"	2 1/4 to 3 1/4"	2359-4237
5 1/2 FH NC 56	7 to 7 3/4"	2 1/4 to 3 1/4"	3182-4552
6 5/8 Reg	7 1/4 to 8"	2 1/2 to 3 1/4"	3476-4780
6 5/8 FH	7 1/2 to 8 1/4"	2 1/2 to 3 1/4"	3782-5116
7 5/8 Reg	8 1/2 to 9 1/2"	2 1/2 to 3 3/4"	4816-6953

Steel Drill Collars

Used to add weight to the bit and stiffness to bottom hole assembly, Drilling Tools' drill collars are an invaluable downhole tool.

To keep operations drilling in the right direction, run our drill collars in combination with our stabilizers to resist buckling. Manufactured from an AISI 4145H modified

heat treated alloy steel, Drilling Tools' strict quality assurance guidelines assure metallurgical integrity of each and every bar.

Drilling Tools' drill collar bars are batch or continuous line heat treated and have both cold-worked and phosphate coated connections.

Mechanical Properties

Room Temperature. ASTM 4145 H Modified								
Drill Collar OD Range (in)	Min. Yield Strength		Min. Tensile Strength		Min. Elongation %	Impact Test CHARPY V. notch		Hardness (Brinell)
	MPa	PSI	MPa	PSI		J (min.)	ft-lbs (min.)	HBN
3 1/8" through 6 7/8"	758	110 000	965	140 000	13	54	40	285-341
7" through 11"	689	100 000	930	135 000				

Standard Specifications For Slick or Spiral Drill Collars

O.D. (in)	I.D. (in)	Weight in Air (lbs)	Unit Weight (lbs/ft)	Standard End Connections
3 1/2"	1 1/2"	826.8	26.7	NC-26 thru 35
4 1/8"	2"	1076.2	34.7	NC-31 thru 41
4 3/4"	2 1/4"	1447.0	46.7	NC-38 thru 47
5"	2 1/4"	1648.5	53.2	NC-38 thru 50
6"	2 1/4"	2558.0	82.5	NC-44 thru 60
6"	2 13/16"	2322.3	74.9	NC-44 thru 60
6 1/4"	2 1/4"	2811.2	90.7	NC-44 thru 62
6 1/4"	2 13/16"	2575.6	83.1	NC-46 thru 65
6 1/2"	2 1/4"	3074.8	99.2	NC-46 thru 65
6 1/2"	2 13/16"	2839.1	91.6	NC-46 thru 65
6 3/4"	2 1/4"	3348.7	108.0	NC-46 thru 67
7"	2 1/4"	3632.9	117.2	NC-50 thru 70
7"	2 13/16"	3397.2	109.6	NC-50 thru 70
7 1/4"	2 13/16"	3691.8	119.1	NC-50 thru 72
8"	2 13/16"	4637.5	149.6	6 5/8 Reg
8 1/4"	2 13/16"	4973.4	160.4	6 5/8 Reg
9 1/2" *	3"	6718.0	216.7	7 5/8 Reg
9 3/4" *	3"	7116.0	229.5	7 5/8 Reg
11" *	3"	9260.6	298.7	8 5/8 Reg

*low torque face available

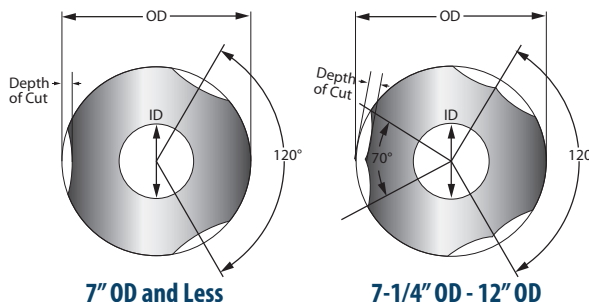
Recommended Slip and Elevator Recess Diameters For Drill Collars

Collar O.D. (in)	Elevator Recess Dia (in)	Slip Recess Dia (in)	Elevator Recess Radius (in)	Top Elevator Bore (in)	Lower Half Elevator Bore (in)
4 1/8"	3 11/16"	3 3/4"	1/8"	3 3/16"	4 1/4"
4 3/4"	4 1/4"	4 3/8"	1/8"	4 3/8"	4 7/8"
5"	4 1/2"	4 5/8"	1/8"	4 5/8"	5 1/8"
6"	5 3/8"	5 1/2"	1/8"	5 1/2"	6 1/8"
6 1/4"	5 5/8"	5 3/4"	1/8"	5 3/4"	6 3/8"
6 1/2"	5 7/8"	6"	1/8"	6"	6 5/8"
6 3/4"	6"	6 1/4"	3/16"	6 3/16"	6 7/8"
7"	6 1/4"	6 1/2"	3/16"	6 7/16"	7 1/8"
7 1/4"	6 1/2"	6 3/4"	3/16"	6 11/16"	7 3/8"
8"	7 1/4"	7 1/2"	3/16"	7 7/16"	8 1/8"
8 1/4"	7 1/2"	7 3/4"	3/16"	7 11/16"	8 3/8"
9 1/2"	8 5/8"	9"	1/4"	8 7/8"	9 5/8"
9 3/4"	8 7/8"	9 1/4"	1/4"	9 1/8"	9 7/8"
11"	10 1/8"	10 1/2"	1/4"	10 3/8"	11 1/8"

Our Services

We can provide you with the technical assistance necessary to assist you in properly using drill collars in the bottom hole assembly.

- Stress relieved connections
- Spiraling on OD (RH standard)
- Hardbanding
- Slip and elevator recesses
- Manufactured to DS-1 specifications



Drilling Tools International, Inc. is a leading provider of downhole tools to the land and offshore drilling markets. For 40 years our company has been guided by the principles of Strength, Innovation and Performance. Our world-class employees consistently deliver unsurpassed customer service while providing quality products that meet the demanding drilling applications of today's market.

Corporate | 3701 Briarpark Dr, Ste 150, Houston, TX 77042 | 832.742.8500



Scan QR code
for complete
contact list